



# PRODUCT MANUAL

## 产品目录



宁波齐立厨卫有限公司

工厂地址 | 浙江省宁波市余姚梨洲街道工业园区东4路8号  
ADDRESS | 8 East 4th Road, Industrial Park, Lizhou Street, Yuyao, Ningbo City, Zhejiang Province





# CONTENTS

目录

**01** 企业篇  
CORPORATE PROFILE

P01

P02

**02** 产品篇  
CORPORATE PRODUCTS

P03

P04

P06

P07

P09



## 企业介绍

## Enterprise introduction

NingBo QILI Kitchen and Bath Co.,Ltd is one professional bathroom product manufacturers in NingBo ,China. Our factory is located in YuYao City, 30KM away from Ningbo Lishe International Airport , and 65KM away from Ningbo port. It is adjacent to Hangzhou-Nningbo Expressway in the west , Yuyao High Speed Railway Station in the north , enjoying convenient traffic conditions. NingBo QILI Kitchen and Bath Co.,Ltd established in 1999, we have 15000 square meters of modern standard factory. We have sound production equipment with wide range of product, including plastic faucet, plastic drain,shower hose , shower head and so on. Also can support OEM and ODM. We have professional engineer support, high efficiency sales team and competitive price superiority, and attract customers from all over the world, we export to over 40 countries, including Europe, Poland, Serbia, Turkey, Russia, USA, Mexico, Brazil, India, Thailand ,Middle east and South Africa. We have a good reputation and high evaluation from our customers because we have good service and product quality.In order to allow our new customers to have a higher level of trust, we have done a lot of relevant certifications for this, such as CE, ROHS, TUV, and so on. Welcome to order our products, we will provide the best quality products and the most comfortable service.





**DT-2042**

NAME: SHOWER&BATH MIXER  
 FUNCTION: HOT & COLD  
 MATERIAL: Nylon(PA6)&PLASTIC  
 COLOR: WHITE  
 41.5\*38\*44CM / 24PCS / CTN  
 TECHNOLOGY: INTERGRATED BODY



**DT-2042M**

NAME: SHOWER&BATH MIXER  
 FUNCTION: HOT & COLD  
 MATERIAL: Nylon(PA6)&ABS  
 COLOR: marble  
 41.5\*38\*44CM / 24PCS / CTN  
 TECHNOLOGY: INTERGRATED BODY



**DT-2043**

NAME: SINK WALL MIXER  
 FUNCTION: HOT & COLD  
 MATERIAL: Nylon(PA6)&ABS  
 COLOR: WHITE  
 52\*42\*32CM / 24PCS / CTN  
 TECHNOLOGY: INTERGRATED BODY



**DT-2043-1**

NAME: SINK WALL MIXER  
 FUNCTION: HOT & COLD  
 MATERIAL: Nylon(PA6)&ABS  
 COLOR: WHITE  
 52\*42\*32CM / 24PCS / CTN  
 TECHNOLOGY: INTERGRATED BODY



**DT-2043C**

NAME: SINK WALL MIXER  
 FUNCTION: HOT & COLD  
 MATERIAL: Nylon(PA6)&ABS  
 COLOR: CHROME  
 52\*42\*32CM / 24PCS / CTN  
 TECHNOLOGY: INTERGRATED BODY



**DT-2043M**

NAME: SINK WALL MIXER  
 FUNCTION: HOT & COLD  
 MATERIAL: Nylon(PA6)&ABS  
 COLOR: MARBLE  
 52\*42\*32CM / 24PCS / CTN  
 TECHNOLOGY: INTERGRATED BODY

**COPPER CARTRIDGE**



**PLASTIC CARTRIDGE**



**COPPER CARTRIDGE**



**PLASTIC CARTRIDGE**





**DT-2047**

NAME: SINGLE HOLE MIXER  
 FUNCTION: HOT& COLD  
 MATERIAL: ABS  
 COLOR: WHITE  
 52\*42\*32CM / 24PCS / CTN  
 TECHNOLOGY: INTERGRATED BODY



**DT-2047C**

NAME: SINGLE HOLE MIXER  
 FUNCTION: HOT& COLD  
 MATERIAL: ABS  
 COLOR: CHROME  
 52\*42\*32CM / 24PCS / CTN  
 TECHNOLOGY: INTERGRATED BODY



**DT-2048**

NAME: BASIN MIXER  
 FUNCTION: HOT& COLD  
 MATERIAL: ABS  
 COLOR: WHITE  
 52\*42\*32CM / 24PCS / CTN  
 TECHNOLOGY: INTERGRATED BODY



**DT-2044**

NAME: BASIN MIXER  
 FUNCTION: HOT& COLD  
 MATERIAL: NYLON(PA6)&ABS  
 COLOR: WHITE  
 52\*42\*32CM / 24PCS / CTN  
 TECHNOLOGY: INTERGRATED BODY



**DT-2047BG**

NAME: SINGLE HOLE MIXER  
 FUNCTION: HOT& COLD  
 MATERIAL: ABS  
 COLOR: BLACK&GOLD  
 52\*42\*32CM / 24PCS / CTN  
 TECHNOLOGY: INTERGRATED BODY



**DT-2047M**

NAME: SINGLE HOLE MIXER  
 FUNCTION: HOT& COLD  
 MATERIAL: ABS  
 COLOR: MARBLE  
 52\*42\*32CM / 24PCS / CTN  
 TECHNOLOGY: INTERGRATED BODY



**DT-2048C**

NAME: BASIN MIXER  
 FUNCTION: HOT& COLD  
 MATERIAL: ABS  
 COLOR: CHROME  
 52\*42\*32CM / 24PCS / CTN  
 TECHNOLOGY: INTERGRATED BODY



**DT-2044C**

NAME: BASIN MIXER  
 FUNCTION: HOT& COLD  
 MATERIAL: NYLON(PA6)&ABS  
 COLOR: CHROME  
 52\*42\*32CM / 24PCS / CTN  
 TECHNOLOGY: INTERGRATED BODY

**COPPER CARTRIDGE**



**PLASTIC CARTRIDGE**



**COPPER CARTRIDGE**



**PLASTIC CARTRIDGE**





H-40001 H-40002 H-40003 H-40055 H-40032



H-40007 H-40008 H-40009 H-40052 H-40053



H-40011 H-40012 H-40013 H-40018 H-40019



H-40016 H-40017 H-40077 H-40092 H-40020



H-40021 H-40022 H-40023 H-40024 H-40025



H-40026 H-40027 H-40028 H-40029 H-40030



H-80070 H-80101 H-80111 H-80115 H-80118



H-80103 H-80083 H-80074 H-80075 H-80082



H-80117 H-80098 H-80099 H-80001 H-80002



H-80041 H-80040 H-80025 H-80021 H-80020



H-80062 H-80063 H-80064 H-80065 H-80066



H-80162 H-80155 H-80140 H-80167 H-80169



**DT-1042**

NAME: SHOWER&BATH MIXER  
 FUNCTION: HOT& COLD  
 MATERIAL: ABS  
 COLOR: WHITE  
 65\*41.5\*35.5CM / 24PCS / CTN  
 TECHNOLOGY: INTERGRATED BODY



**DT-1042C**

NAME: SHOWER&BATH MIXER  
 FUNCTION: HOT& COLD  
 MATERIAL: ABS  
 COLOR: CHROME  
 65\*41.5\*35.5CM / 24PCS / CTN  
 TECHNOLOGY: INTERGRATED BODY



**DT-1046**

NAME: SHOWER&BATH MIXER  
 FUNCTION: HOT& COLD  
 MATERIAL: ABS  
 COLOR: WHITE  
 TECHNOLOGY: INTERGRATED BODY



**DT-1047**

NAME: SHOWER&BATH MIXER  
 FUNCTION: HOT& COLD  
 MATERIAL: ABS  
 COLOR: WHITE  
 TECHNOLOGY: INTERGRATED BODY



**DT-1041**

NAME: SHOWER&BATH MIXER 10CM  
 FUNCTION: HOT& COLD  
 MATERIAL: ABS  
 COLOR: WHITE  
 56.8\*33.2\*32.7CM / 20PCS / CTN  
 TECHNOLOGY: INTERGRATED BODY



**DT-1041C**

NAME: SHOWER&BATH MIXER 10CM  
 FUNCTION: HOT& COLD  
 MATERIAL: ABS  
 COLOR: CHROME  
 56.8\*33.2\*32.7CM / 20PCS / CTN  
 TECHNOLOGY: INTERGRATED BODY



**DT-1046C**

NAME: SHOWER&BATH MIXER 10CM  
 FUNCTION: HOT& COLD  
 MATERIAL: ABS  
 COLOR: CHROME  
 TECHNOLOGY: INTERGRATED BODY



**DT-1047C**

NAME: SHOWER&BATH MIXER 10CM  
 FUNCTION: HOT& COLD  
 MATERIAL: ABS  
 COLOR: CHROME  
 TECHNOLOGY: INTERGRATED BODY



**DT-1043C**

NAME: SHOWER&BATH MIXER 15CM  
 FUNCTION: HOT& COLD  
 MATERIAL: ABS  
 52\*42\*32CM / 24PCS / CTN  
 TECHNOLOGY: INTERGRATED BODY



**DT-1040C**

NAME: SHOWER&BATH MIXER 15CM  
 FUNCTION: HOT& COLD  
 MATERIAL: ABS  
 52\*42\*32CM / 24PCS / CTN  
 TECHNOLOGY: INTERGRATED BODY



**DT-1048C**

NAME: SHOWER&BATH MIXER 10CM  
 FUNCTION: HOT& COLD  
 MATERIAL: ABS  
 COLOR: CHROME  
 TECHNOLOGY: INTERGRATED BODY





**DT-1049**

NAME: SHOWER&BATH MIXER  
 FUNCTION: HOT& COLD  
 MATERIAL: ABS  
 COLOR: WHITE  
 TECHNOLOGY: INTERGRATED BODY



**DT-1093**

NAME: KITCHEN MIXER  
 FUNCTION: HOT& COLD  
 MATERIAL: ABS  
 COLOR: WHITE  
 TECHNOLOGY: INTERGRATED BODY



**DT-1092C**

NAME: KITCHEN MIXER  
 FUNCTION: HOT& COLD  
 MATERIAL: ABS  
 COLOR: CHROME  
 TECHNOLOGY: INTERGRATED BODY



**DT-1092**

NAME: KITCHEN MIXER  
 FUNCTION: HOT& COLD  
 MATERIAL: ABS  
 COLOR: WHITE  
 TECHNOLOGY: INTERGRATED BODY



**DT-1045**

NAME: SHOWER&BATH MIXER 15CM  
 FUNCTION: HOT& COLD  
 MATERIAL: ABS  
 COLOR: WHITE  
 TECHNOLOGY: INTERGRATED BODY



**DT-1045C**

NAME: SHOWER&BATH MIXER 15CM  
 FUNCTION: HOT& COLD  
 MATERIAL: ABS  
 COLOR: CHROME  
 TECHNOLOGY: INTERGRATED BODY



**DT-1094**

NAME: KITCHEN MIXER  
 FUNCTION: HOT& COLD  
 MATERIAL: ABS  
 COLOR: CHROME  
 TECHNOLOGY: INTERGRATED BODY



**DT-1095**

NAME: KITCHEN MIXER  
 FUNCTION: HOT& COLD  
 MATERIAL: ABS  
 COLOR: CHROME  
 TECHNOLOGY: INTERGRATED BODY



**DT-1090**

NAME: KITCHEN MIXER  
 FUNCTION: HOT& COLD  
 MATERIAL: POM  
 COLOR: WHITE  
 52\*38\*42.5CM / 40PCS / CTN  
 TECHNOLOGY: INTERGRATED BODY



**DT-1091**

NAME: KITCHEN MIXER  
 FUNCTION: HOT& COLD  
 MATERIAL: POM  
 COLOR: WHITE  
 52\*38\*42.5CM / 40PCS / CTN  
 TECHNOLOGY: INTERGRATED BODY



**DT-1096**

NAME: KITCHEN MIXER  
 FUNCTION: HOT& COLD  
 MATERIAL: ABS  
 COLOR: CHROME  
 TECHNOLOGY: INTERGRATED BODY







**DT-1072**

NAME: BASIN MIXER  
 FUNCTION: HOT& COLD  
 MATERIAL: ABS  
 COLOR: WHITE  
 TECHNOLOGY: INTERGRATED BODY



**DT-1072C**

NAME: BASIN MIXER  
 FUNCTION: HOT& COLD  
 MATERIAL: ABS  
 COLOR: CHROME  
 TECHNOLOGY: INTERGRATED BODY



**DT-1080**

NAME: BASIN MIXER  
 FUNCTION: HOT& COLD  
 MATERIAL: POM  
 COLOR: WHITE



**DT-1082M**

NAME: BASIN MIXER  
 FUNCTION: HOT& COLD  
 MATERIAL: ABS  
 COLOR: MARBLE



**DT-1081**

NAME: BASIN MIXER  
 FUNCTION: HOT& COLD  
 MATERIAL: ABS  
 COLOR: WHITE  
 TECHNOLOGY: INTERGRATED BODY



**DT-1081C**

NAME: BASIN MIXER  
 FUNCTION: HOT& COLD  
 MATERIAL: ABS  
 COLOR: CHROME  
 TECHNOLOGY: INTERGRATED BODY



**DT-1082C**

NAME: BASIN MIXER  
 FUNCTION: HOT& COLD  
 MATERIAL: ABS  
 COLOR: CHROME  
 TECHNOLOGY: INTERGRATED BODY



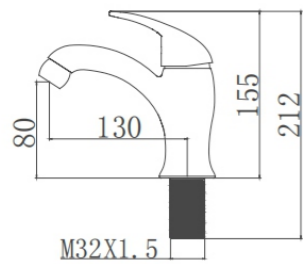
**DT-1083B**

NAME: BASIN MIXER  
 FUNCTION: HOT& COLD  
 MATERIAL: ABS  
 COLOR: BLACK  
 TECHNOLOGY: INTERGRATED BODY

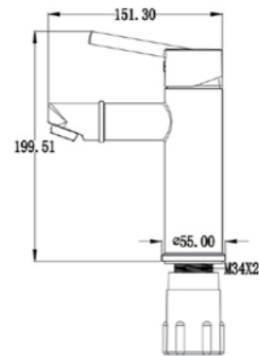


**DT-1083C**

NAME: BASIN MIXER  
 FUNCTION: HOT& COLD  
 MATERIAL: ABS  
 COLOR: CHROME  
 TECHNOLOGY: INTERGRATED BODY



单位 (Unit): mm



单位 (Unit): mm



**DT-1084**

NAME: BASIN MIXER  
 FUNCTION: HOT& COLD  
 MATERIAL: ABS  
 COLOR: WHITE  
 TECHNOLOGY: INTERGRATED BODY



**DT-1084B**

NAME: BASIN MIXER  
 FUNCTION: HOT& COLD  
 MATERIAL: ABS  
 COLOR: BLACK  
 TECHNOLOGY: INTERGRATED BODY



**DT-1084C**

NAME: BASIN MIXER  
 FUNCTION: HOT& COLD  
 MATERIAL: ABS  
 COLOR: CHROME  
 TECHNOLOGY: INTERGRATED BODY



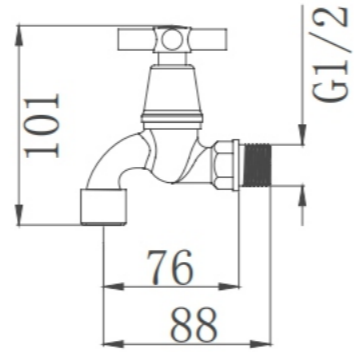
**WF-P1601**  
MATERIAL:ABS



**WF-P1705**  
MATERIAL:ABS



**WF-1601**  
MATERIAL:ABS



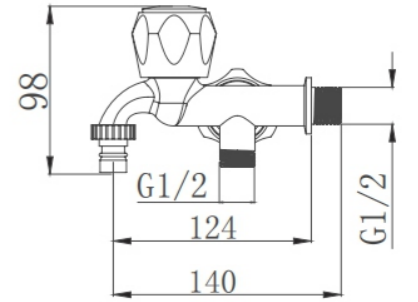
**WF-P1201**  
MATERIAL:ABS



**WF-P1205**  
MATERIAL:ABS



**WF-1201**  
MATERIAL:ABS



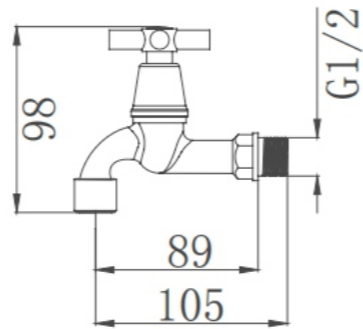
**WF-P1401**  
MATERIAL:ABS



**WF-P1505**  
MATERIAL:ABS



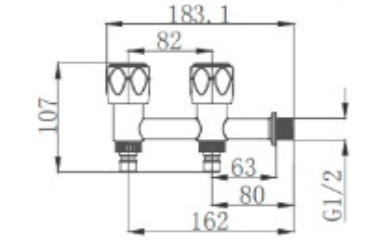
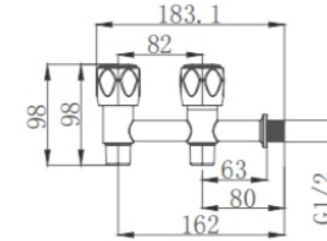
**WF-1401**  
MATERIAL:ABS



**WF-P3905**  
MATERIAL:ABS



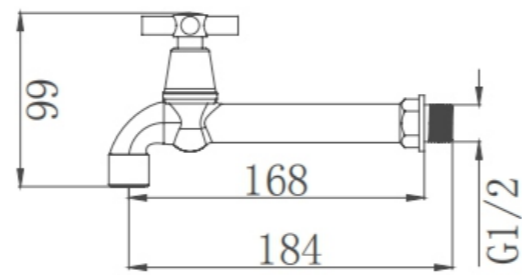
**WF-3801**  
MATERIAL:ABS



**WF-P1301**  
MATERIAL:ABS



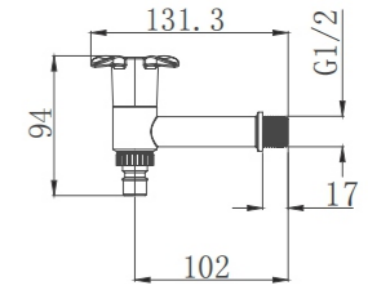
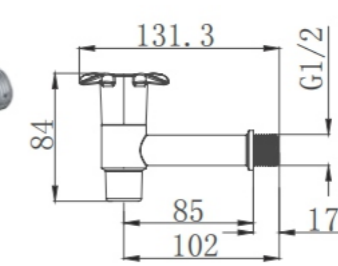
**WF-1301**  
MATERIAL:ABS



**WF-P4205**  
MATERIAL:ABS



**WF-4101**  
MATERIAL:ABS



**1**



**2**



**3**



**4**



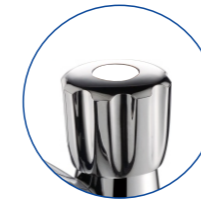
**5**



**6**



**1**



**2**



**3**



**4**



**5**



**6**



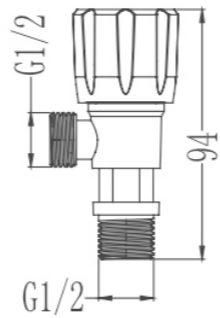
**AV-1805**  
MATERIAL:ABS



**AV-1805C**  
MATERIAL:ABS



**AV-1801C**  
MATERIAL:ABS



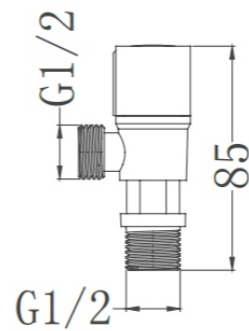
**AV-1802**  
MATERIAL:ABS



**AV-1803**  
MATERIAL:ABS



**AV-1811**  
MATERIAL:ABS



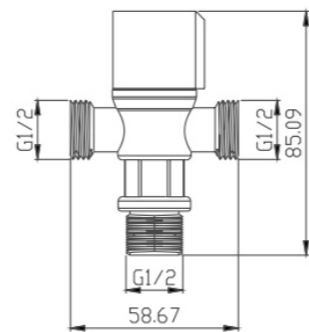
**AV-1802C**  
MATERIAL:ABS



**AV-1803C**  
MATERIAL:ABS



**AV-1811C**  
MATERIAL:ABS



**1**



**2**



**3**



**4**



**5**



**6**



**BF-9001**  
MATERIAL:ABS



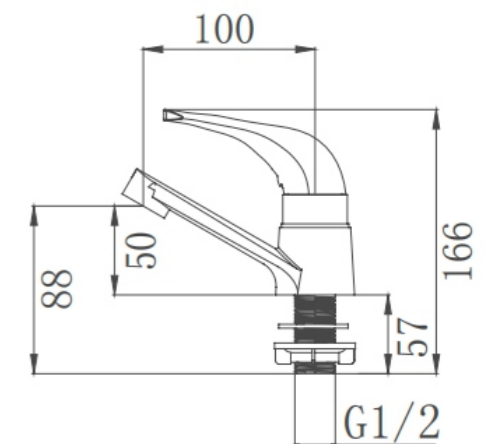
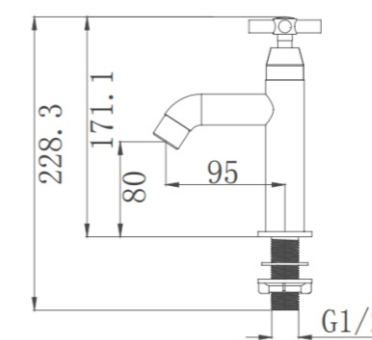
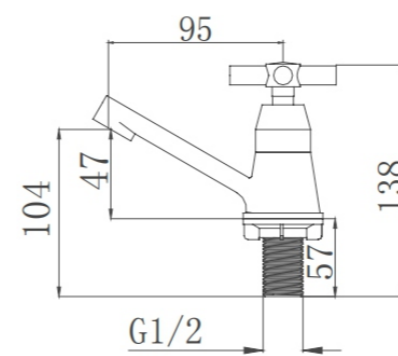
**BF-P1101**  
MATERIAL:ABS



**BF-P9003**  
MATERIAL:ABS



**BF-P9001**  
MATERIAL:ABS



**BF-1101**  
MATERIAL:ABS



**BF-9003**  
MATERIAL:ABS



**KF-P4305**  
MATERIAL:ABS



**KF-P4505**  
MATERIAL:ABS



**KF-P4705**  
MATERIAL:ABS



**KF-P6502**  
MATERIAL:ABS



**KF-P2001**  
MATERIAL:ABS



**KF-P1001**  
MATERIAL:ABS



**KF-4301**  
MATERIAL:ABS



**KF-4501**  
MATERIAL:ABS



**KF-P4505**  
MATERIAL:ABS



**KF-4601**  
MATERIAL:ABS



**KF-4701**  
MATERIAL:ABS



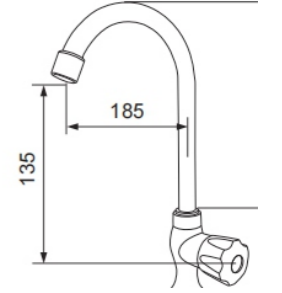
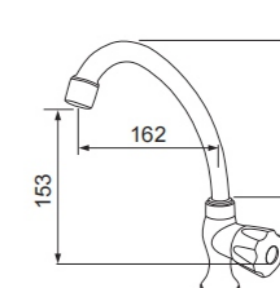
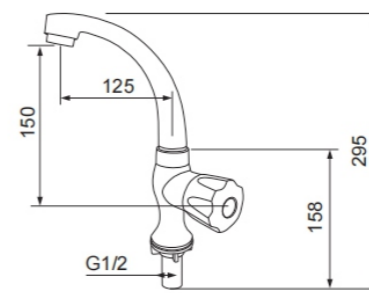
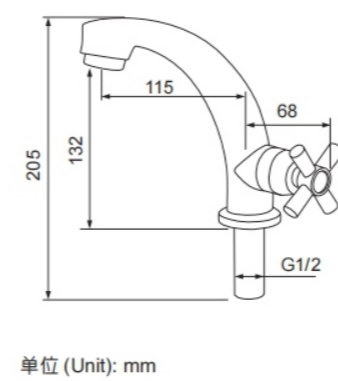
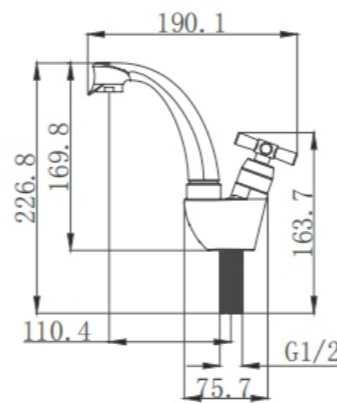
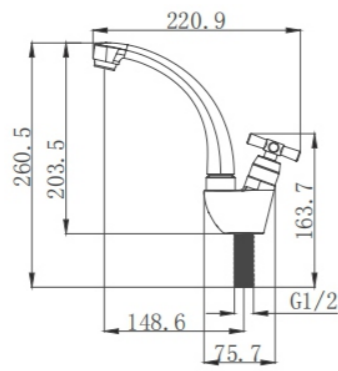
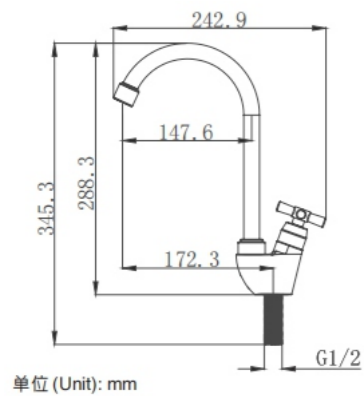
**KF-6502**  
MATERIAL:ABS



**KF-2001**  
MATERIAL:ABS



**KF-1001**  
MATERIAL:ABS



单位 (Unit): mm

单位 (Unit): mm



**1**



**2**



**3**



**4**



**5**



**6**



**1**



**2**



**3**



**4**



**5**



**6**



**KF-P3405**  
MATERIAL:ABS



**KF-P3505**  
MATERIAL:ABS



**KF-P3305**  
MATERIAL:ABS



**KF-P3605**  
MATERIAL:ABS



**KF-P5202**  
MATERIAL:ABS



**KF-P5502**  
MATERIAL:ABS



**KF-P7005**  
MATERIAL:ABS



**KF-P6005**  
MATERIAL:ABS



**KF-3401**  
MATERIAL:ABS



**KF-3501**  
MATERIAL:ABS



**KF-3302**  
MATERIAL:ABS



**KF-3602**  
MATERIAL:ABS



**KF-5202**  
MATERIAL:ABS



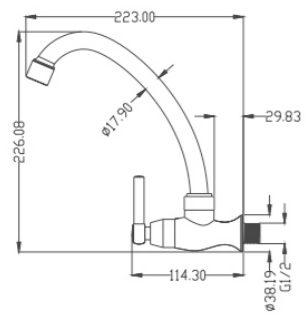
**KF-5502**  
MATERIAL:ABS



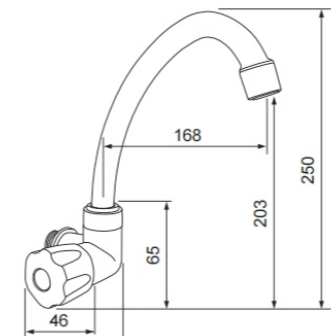
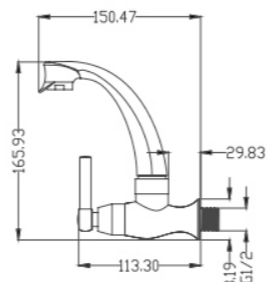
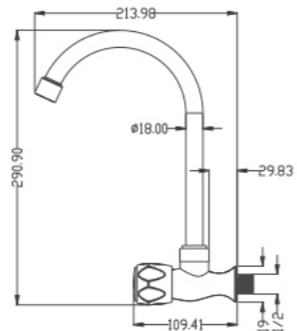
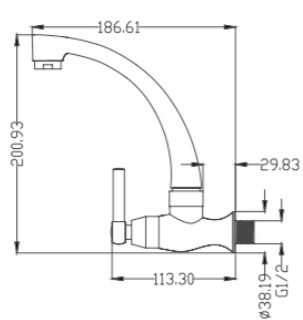
**KF-7002**  
MATERIAL:ABS



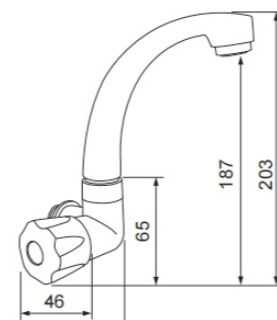
**KF-6002**  
MATERIAL:ABS



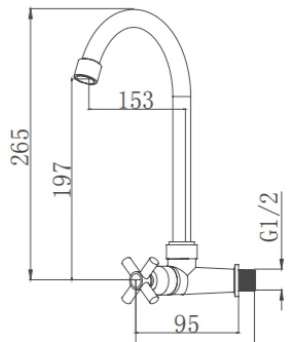
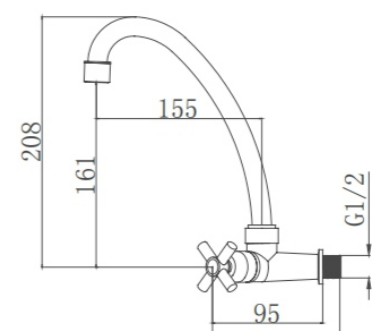
单位 (Unit): mm



单位 (Unit): mm



单位 (Unit): mm



**1**



**2**



**3**



**4**



**5**



**6**



**1**



**2**



**3**



**4**



**5**



**6**



H1041  
Material PP



H1042  
Material PP



H1121  
Material PP



H1124  
Material PP



H1080  
Material PP



H1081  
Material PP



H1094  
Material PP



H1095  
Material PP



H1096  
Material PP



H1097  
Material PP



H1083  
Material ABS



H1084  
Material ABS



H1082  
Material PP



H1001  
Material PP



WF-8001  
Material PP



H1098  
Material PP



H1099  
Material PP/PVC



H1002  
Material PVC



H1003  
Material PVC



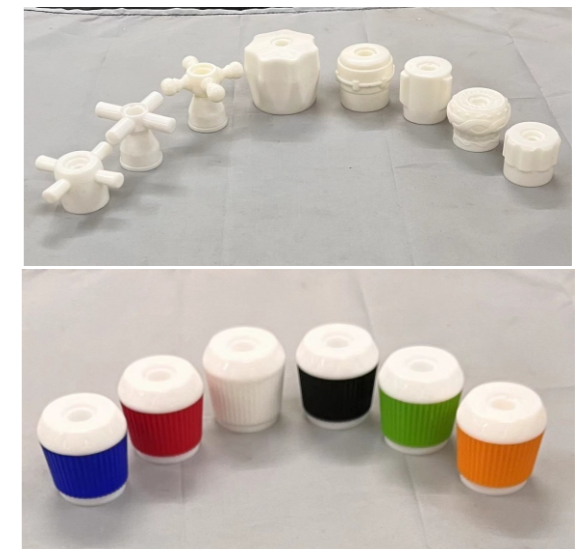
H1003  
Material PVC



H1004  
Material PVC



H1085  
Material PP





B1017  
Material PP



B1018  
Material PP



B1019  
Material PP



B1020  
Material ABS



B1001  
Material PP



B1002  
Material PP



B1003  
Material PP



B1004  
Material ABS



B1021  
Material PP



B1022  
Material ABS



B1023  
Material PP



B1024  
Material ABS



B1005  
Material PP



B1006  
Material ABS



B1007  
Material PP



B1008  
Material PP



B1025  
Material PP



B1026  
Material ABS



B1027  
Material ABS



B1028  
Material ABS



B1009  
Material PP



B1010  
Material ABS



B1011  
Material ABS



B1012  
Material PP



B1029  
Material PP



B1030  
Material PP



B1031  
Material PP



B1032  
Material PP



B1013  
Material ABS



B1014  
Material PP



B1015  
Material PP



B1016  
Material PP



KF-2049  
Material PP



KF-2050  
Material PP



KF-2051  
Material PP



KF-2061  
Material PP+S.S



KF-2062  
Material PP+S.S



KF-2063  
Material PP+S.S



KF-2052  
Material PP



KF-2053  
Material PP



KF-2054  
Material PP



KF-2064  
Material PP+S.S



KF-2065  
Material PP+S.S



KF-2066  
Material PP+S.S



KF-2055  
Material PP



KF-2056  
Material PP



KF-2057  
Material PP



KF-2067  
Material PP+S.S



KF-2068  
Material PP+S.S



KF-2069  
Material PP+S.S



KF-2058  
Material PP



KF-2059  
Material PP



KF-2060  
Material PP



KF-2070  
Material PP



KF-2071  
Material PP



KF-2072  
Material PP





QL-21



QL-22



QL-23



QL-29



QL-30



QL-31



QL-24



QL-25



QL-26



QL-32



QL-33



QL-34



QL-27



QL-28



QL-35



QL-36



QL-1010



QL-17  
2L,3L, 4L water save fit



QL-18  
5L,6L, 7L..... water save fit



QL-19  
5L,6L, 7L..... water save fit



QL-20  
5L,6L, 7L..... water save fit



QL-139



QL-140



QL-141



QL-142



QL-01  
MATERIAL:ABS



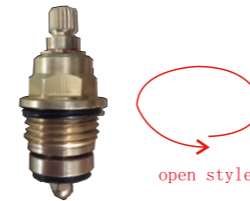
QL-02  
MATERIAL:ABS



QL-03  
MATERIAL:ABS



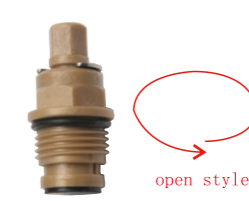
QL-04  
MATERIAL:ABS



QL-05  
MATERIAL:COPPER



QL-06  
MATERIAL:COPPER



QL-07  
MATERIAL:PLASTIC



QL-08  
MATERIAL:PLASTIC



QL-09 35mm  
MATERIAL: Ceramic



QL-10 35mm  
MATERIAL: Ceramic



QL-11 40mm  
MATERIAL: Ceramic



QL-12 40mm  
MATERIAL: Ceramic



QL-13  
MATERIAL: PLASTIC



QL-14  
MATERIAL: PLASTIC



QL-15  
MATERIAL: S.S / PA6(Nylon)



QL-16  
MATERIAL: ABS